

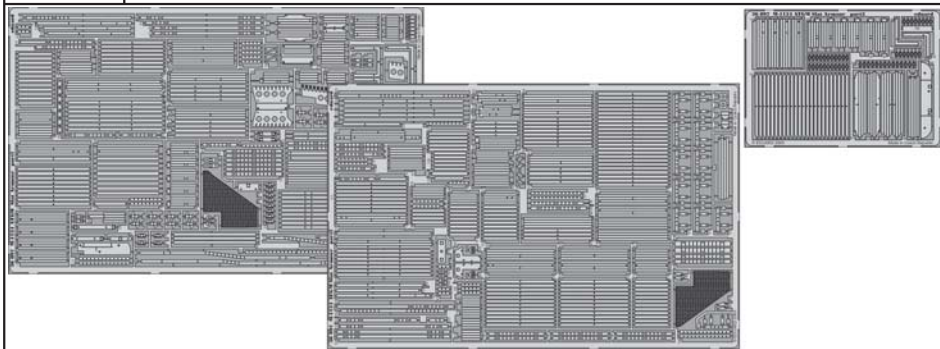


M-1134 ATGM Slat Armour

eduard

36 097

1/35 scale detail set for AFV Club kit • sada detailů pro model 1/35 AFV Club



- APPLY EXPRESS MASK AND PAINT BEFORE GLUING
POUŽIT EXPRESS MASK NABARVIT PŘED SLEPENÍM
- SYMETRICAL ASSEMBLY
SYMETRICKÁ MONTÁŽ
- REMOVE
ODSTRANIT
- GRIND
OBROUSIT
- DRILL HOLE
VRTAT OTVOR
- BEND
OHNOUT
- OPTION
VOLBA
- REPLACE
NAHRADIT

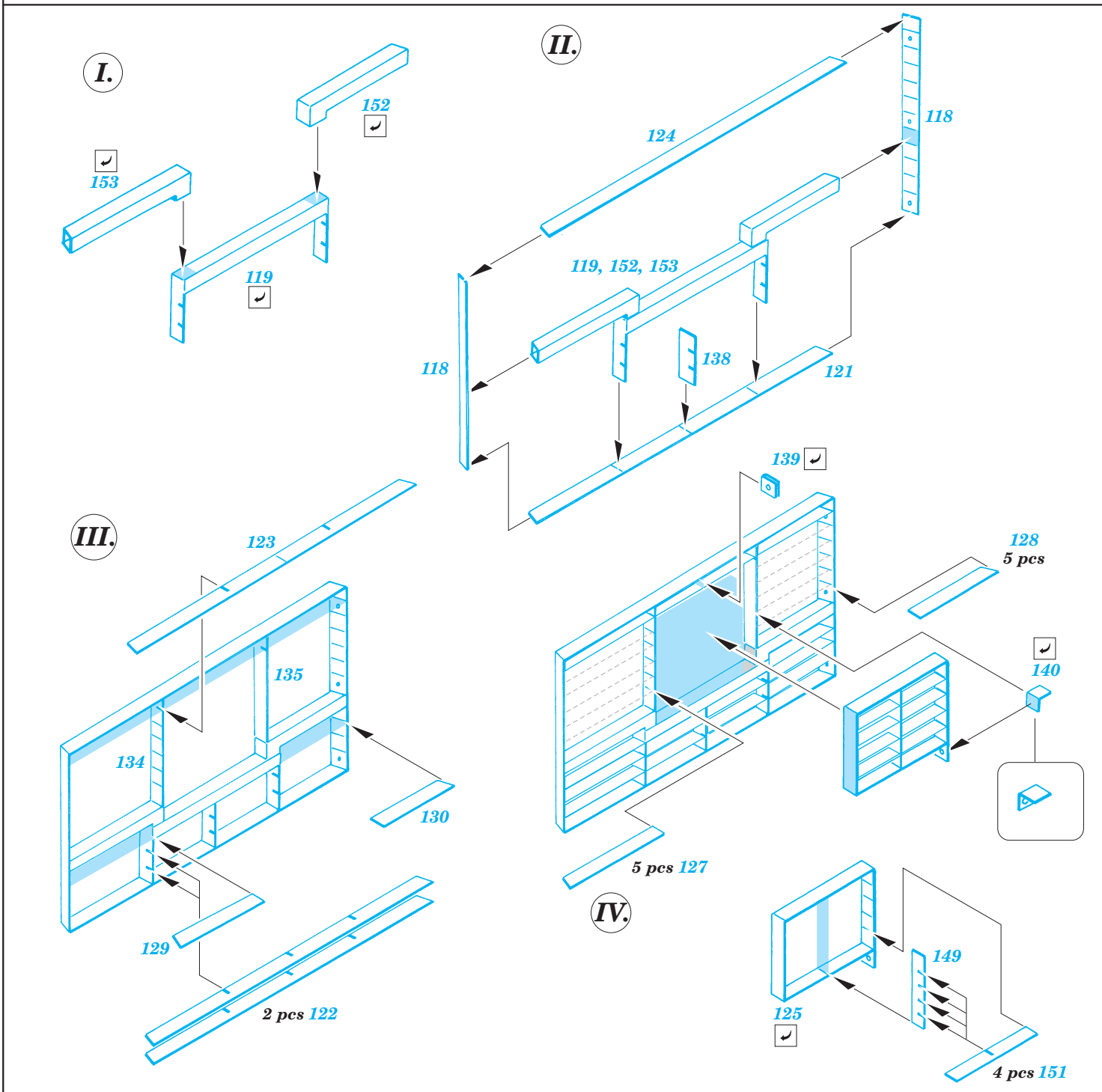
ORIGINAL KIT PARTS
PŮVODNÍ DÍLY STAVEBNICE

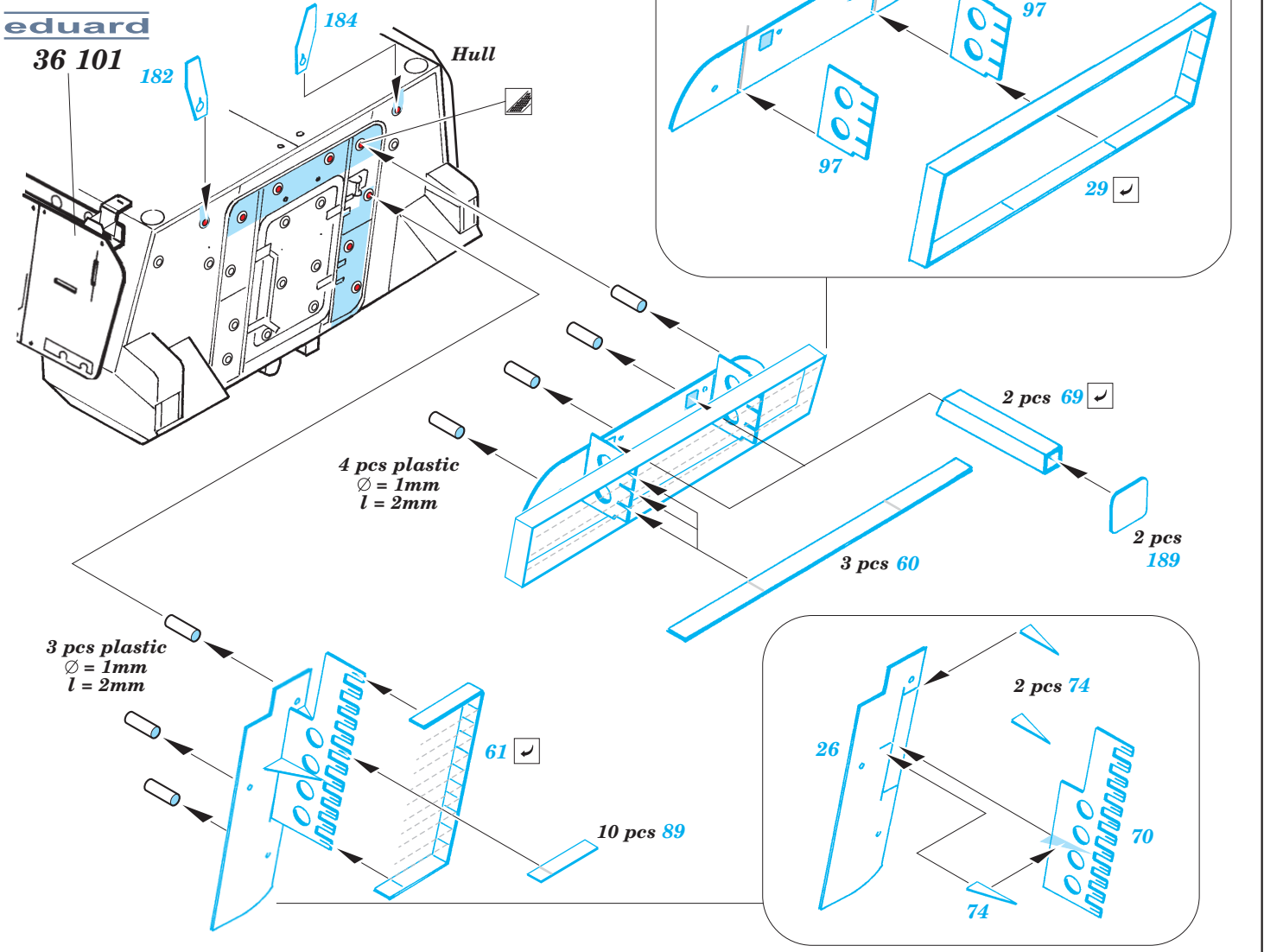
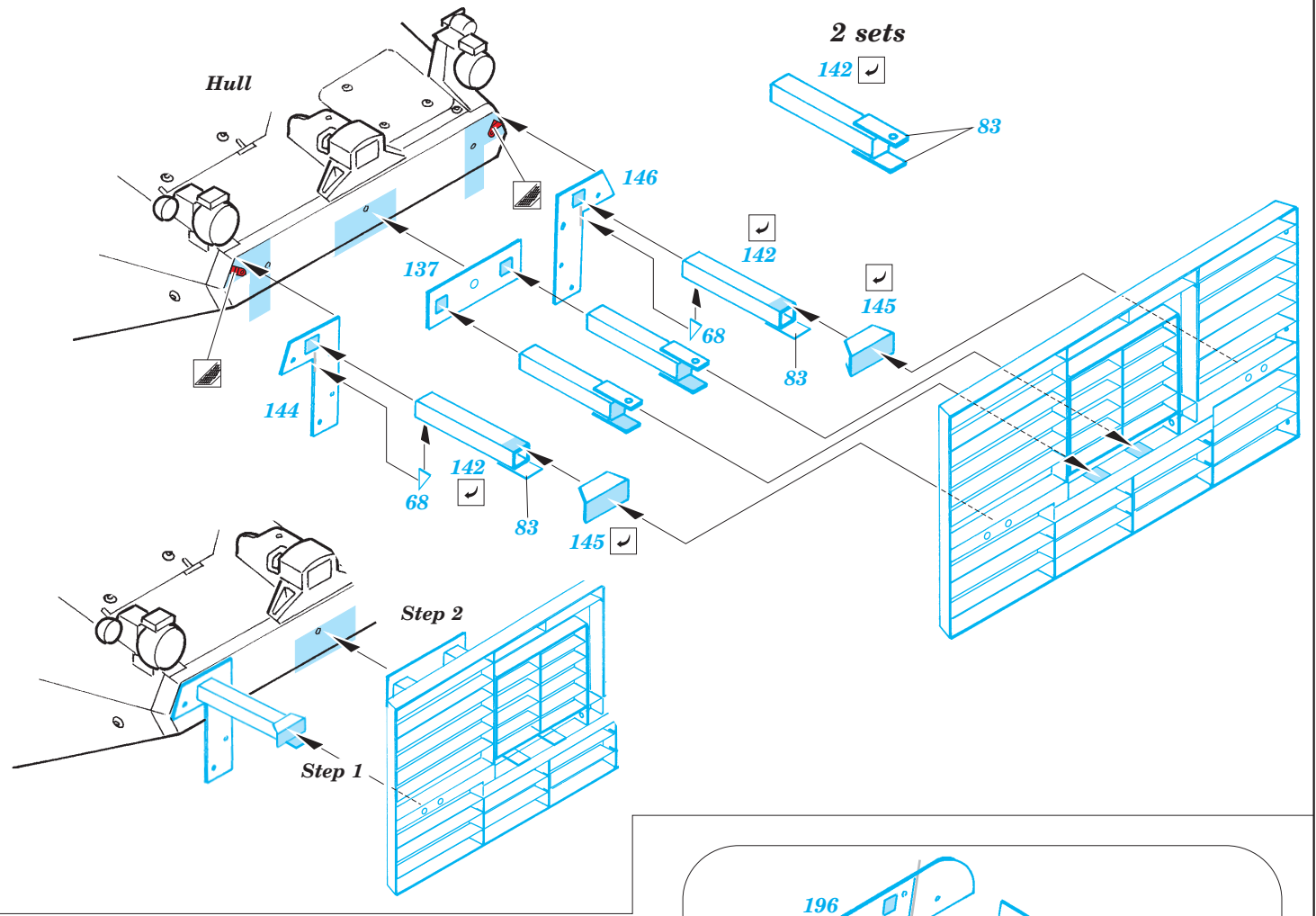
PHOTO-ETCHED PARTS
LEPTANÉ DÍLY

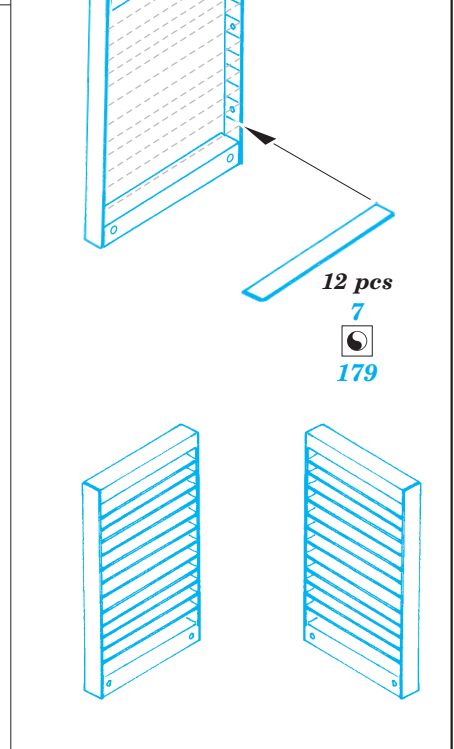
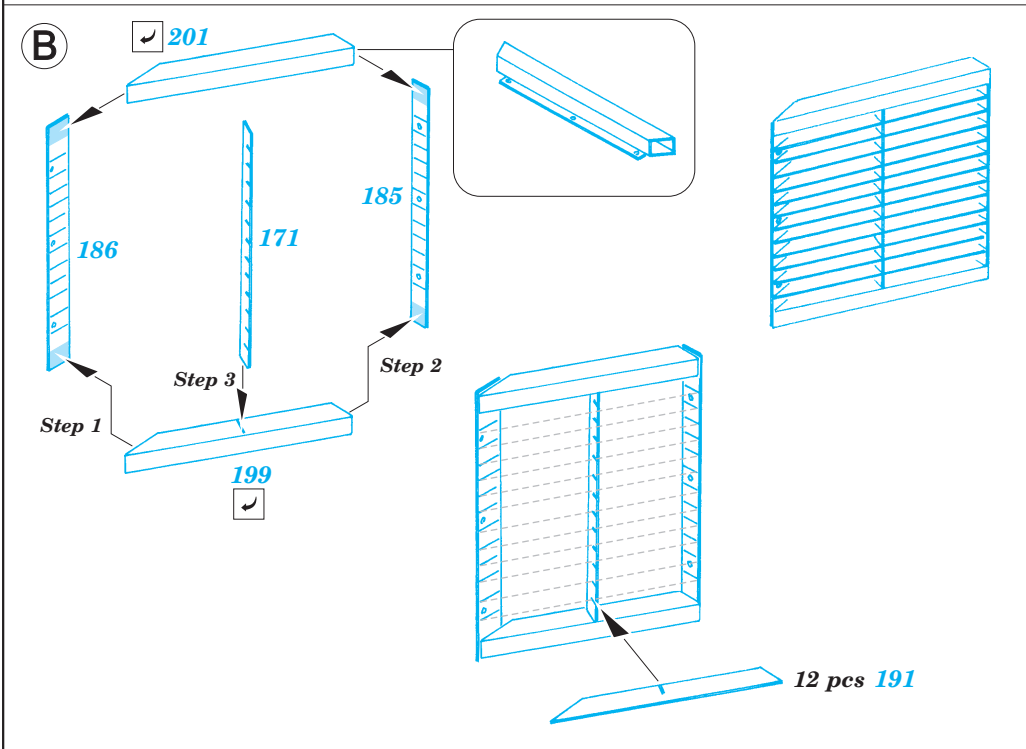
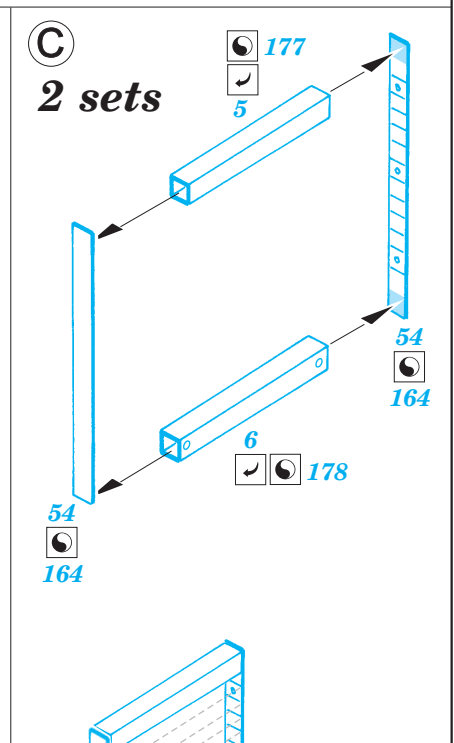
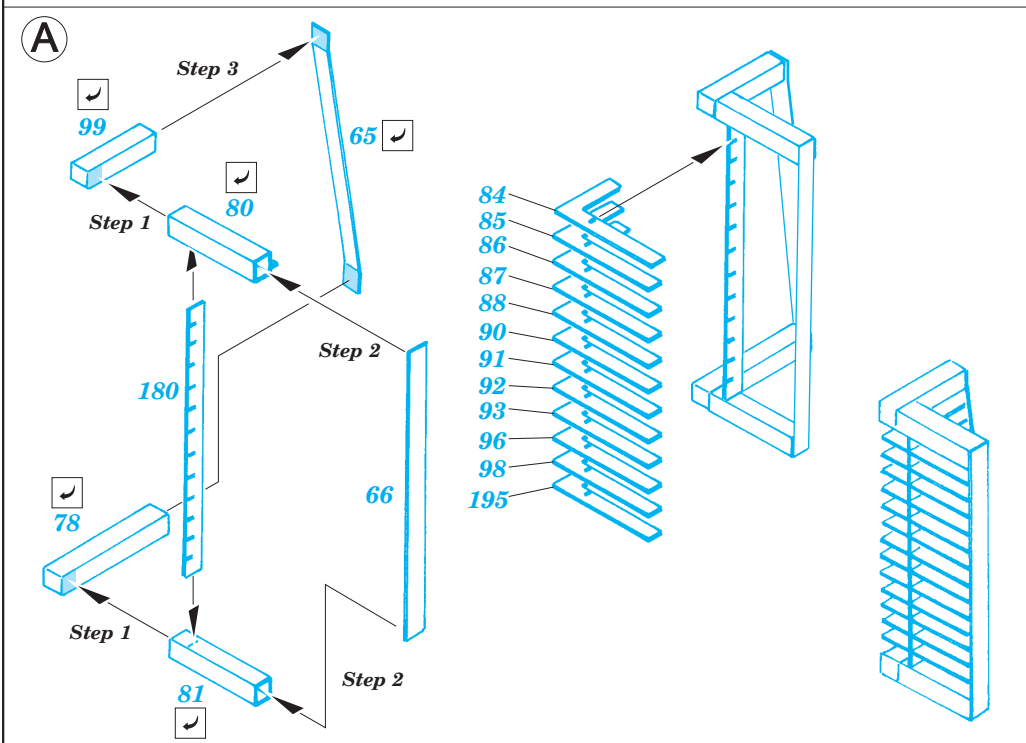
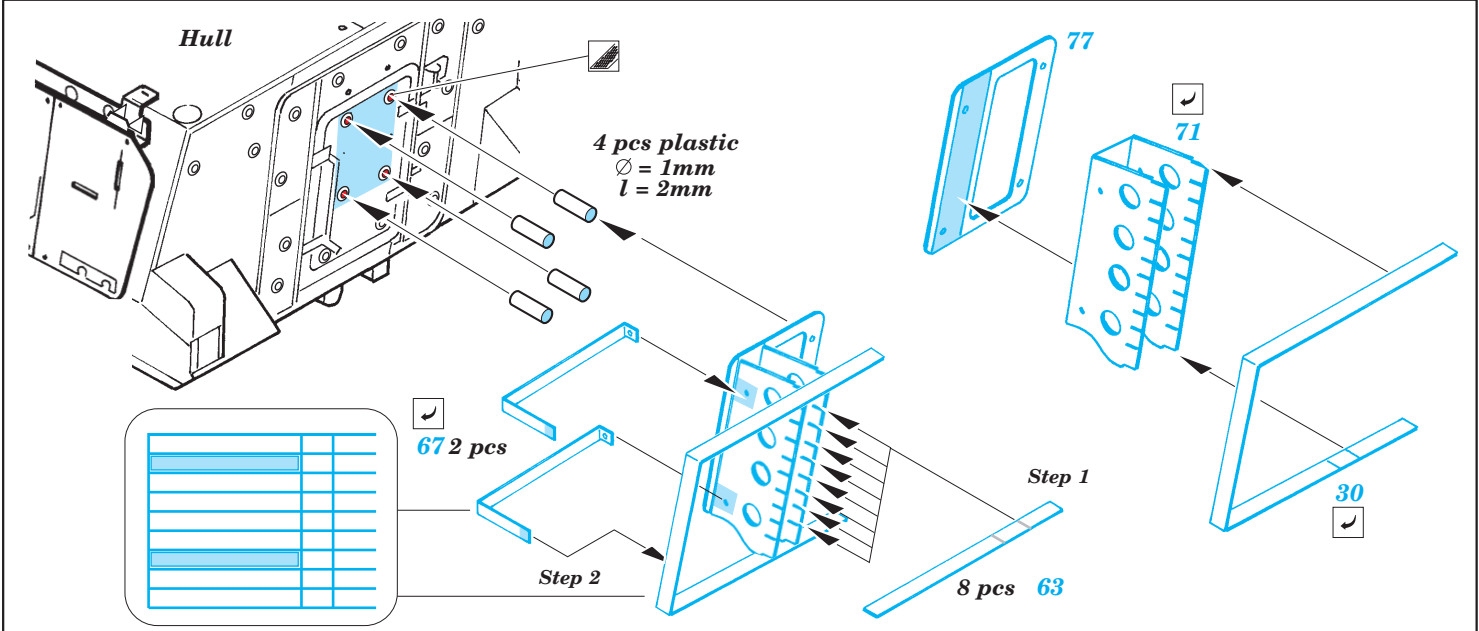
PARTS TO BE REMOVED
DÍLY K ODSTRANĚNÍ

FILL
TMELIT

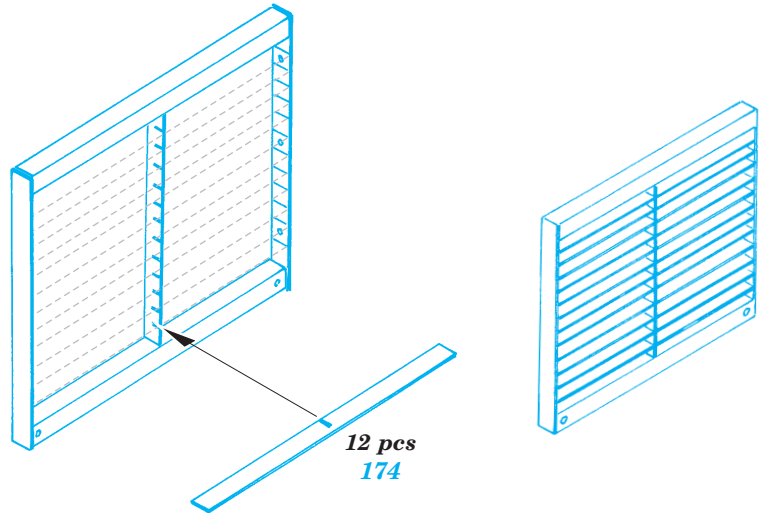
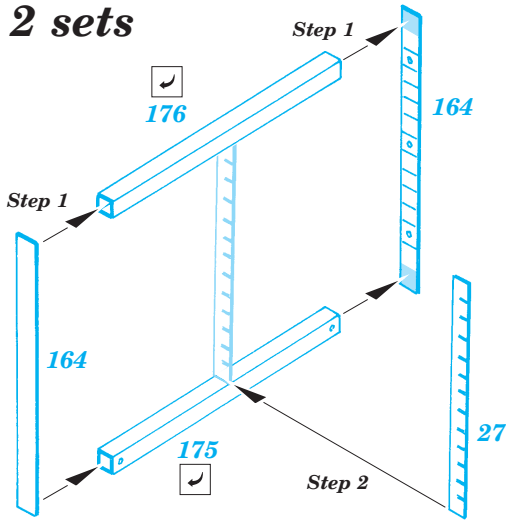
This set must be used on base eduard 36 101 M-1134 ATGM additional armor (not included in this set)



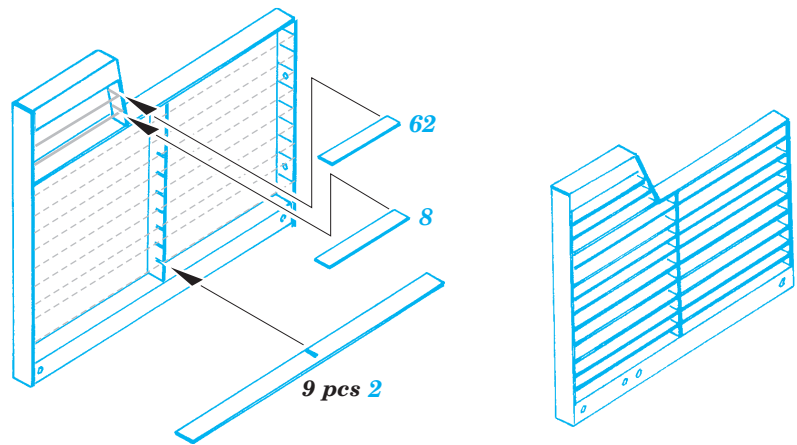
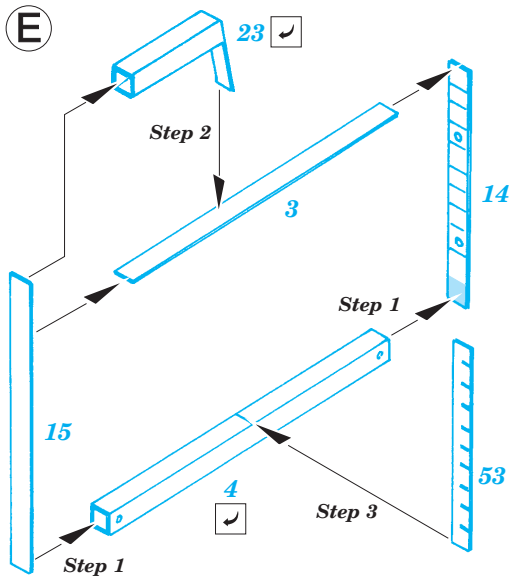




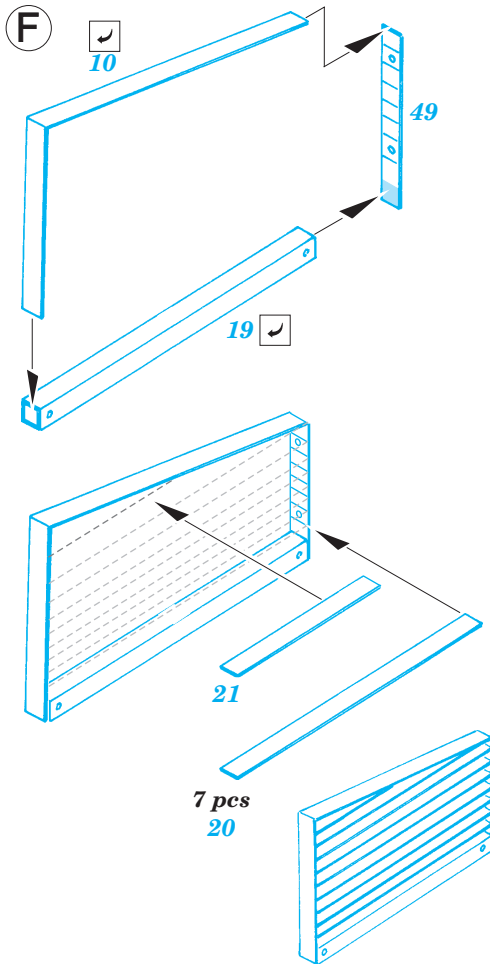
D 2 sets



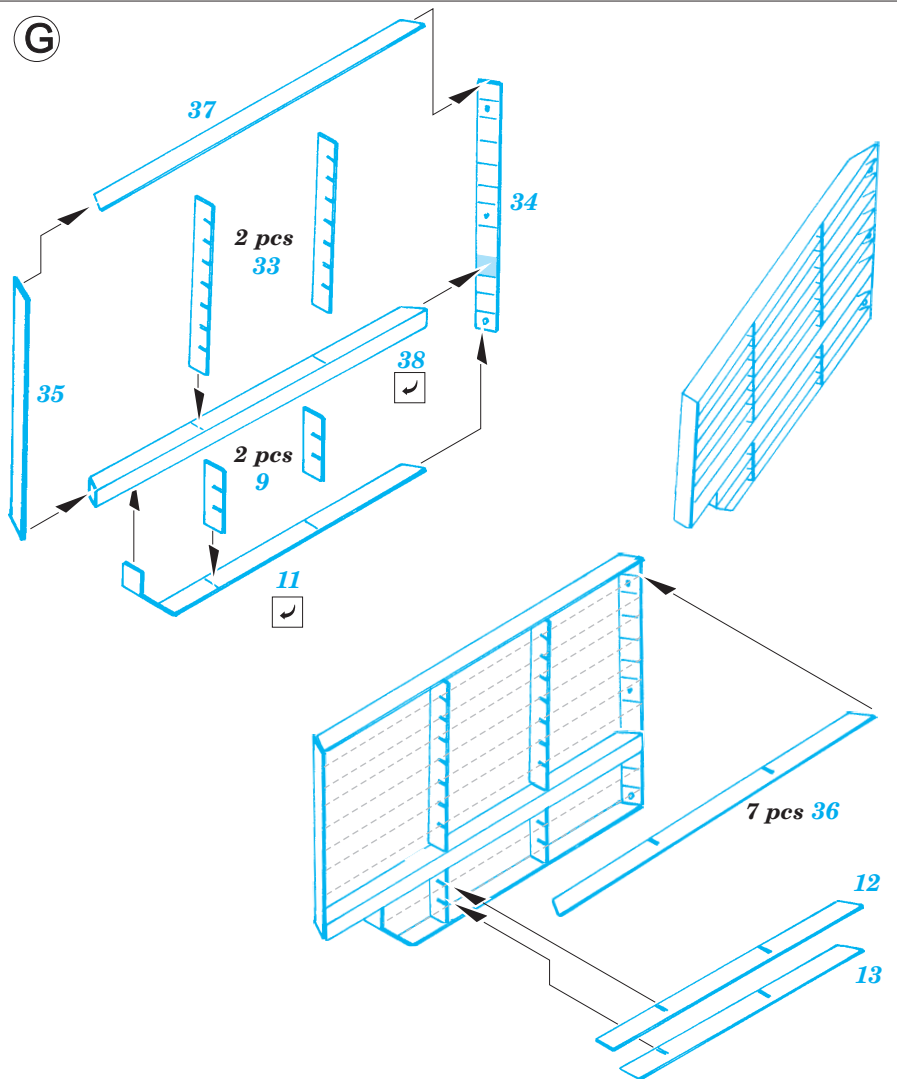
E

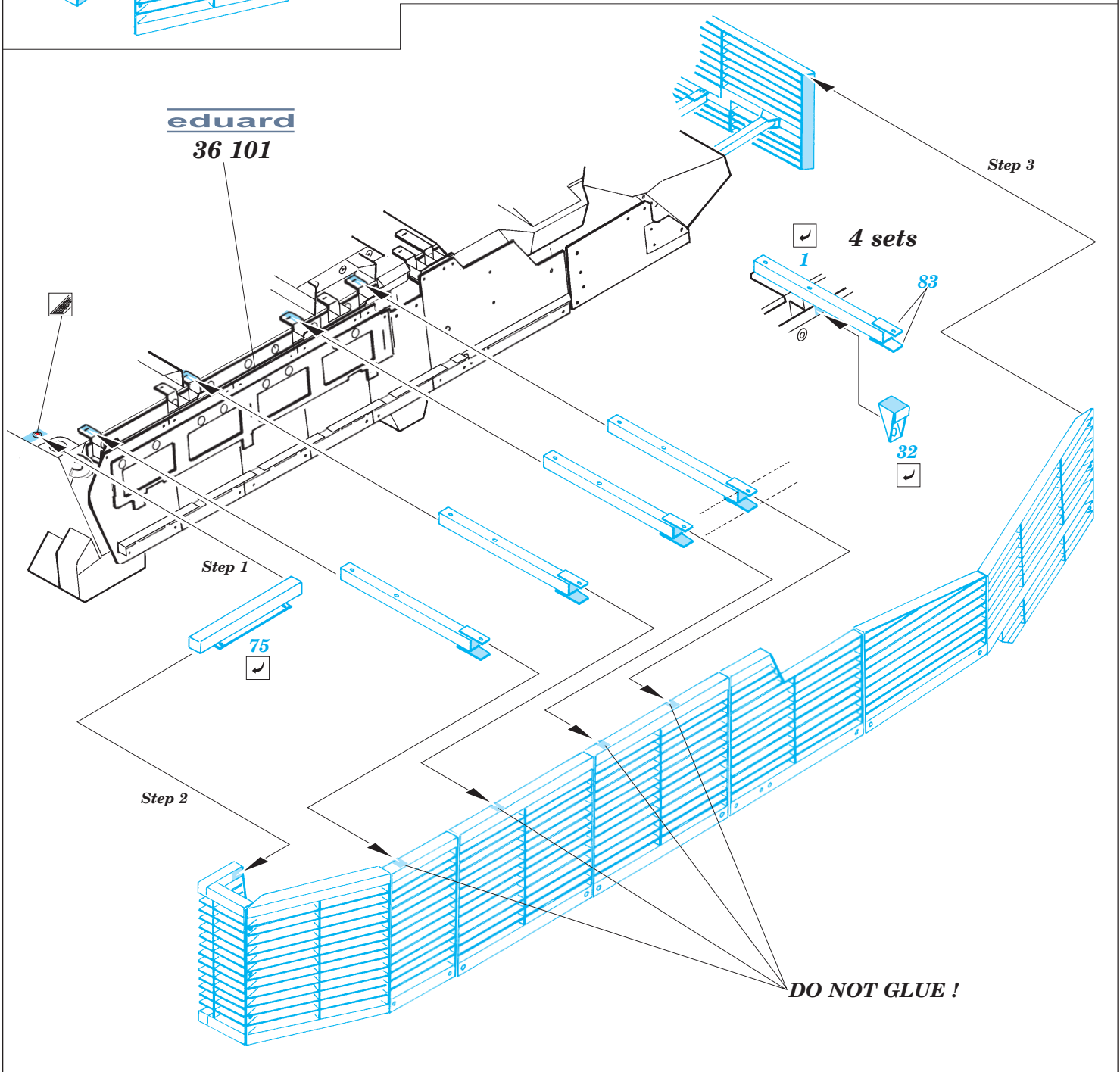
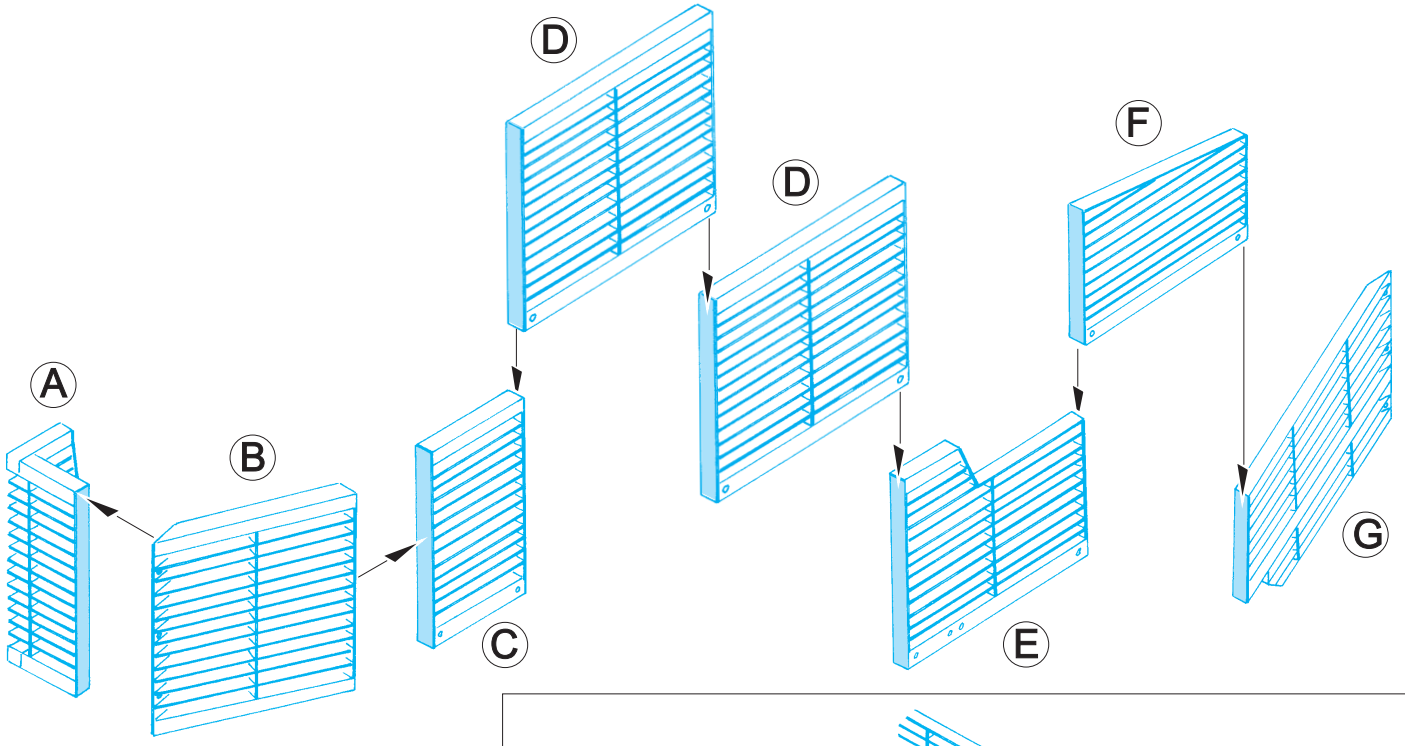


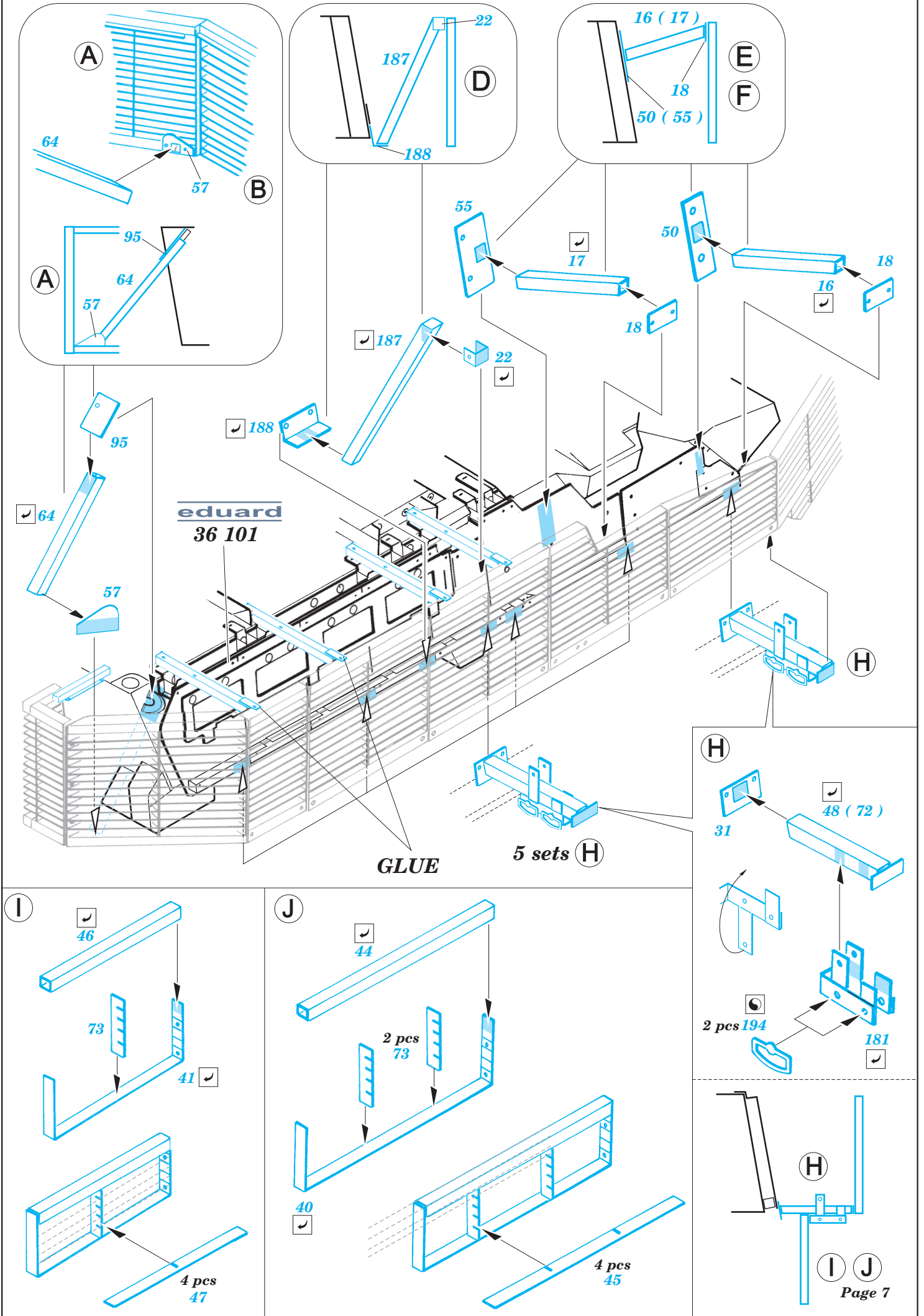
F



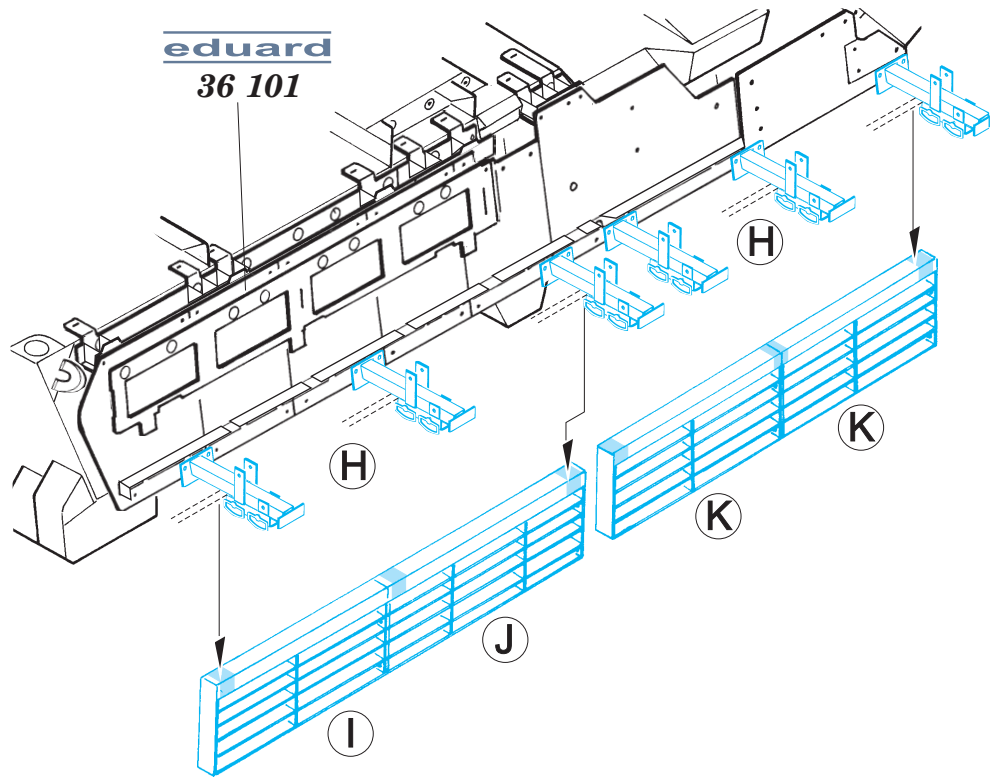
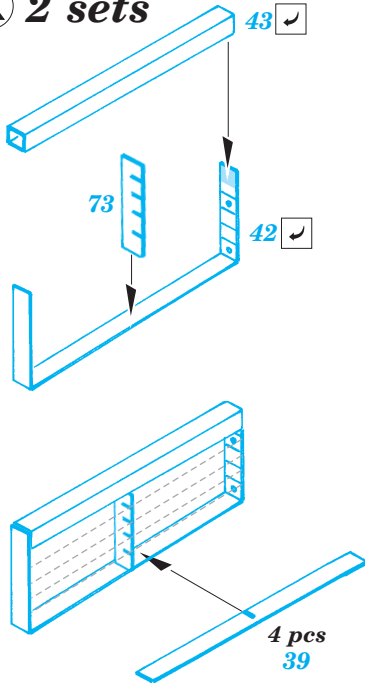
G



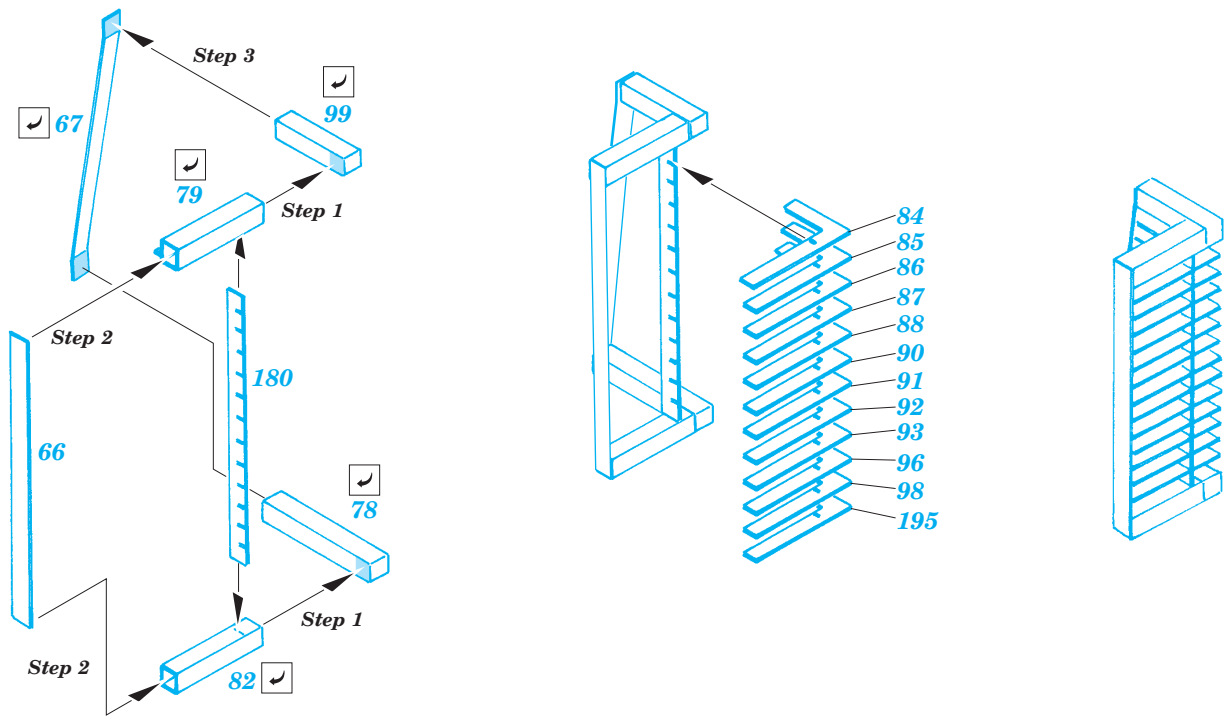




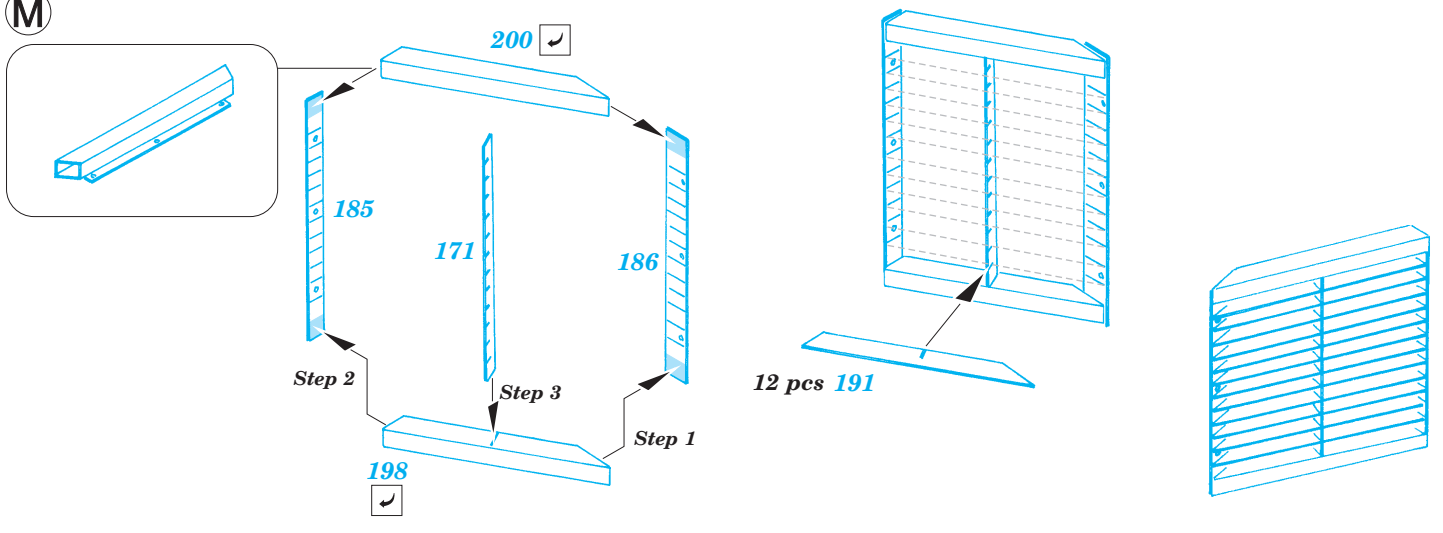
K 2 sets

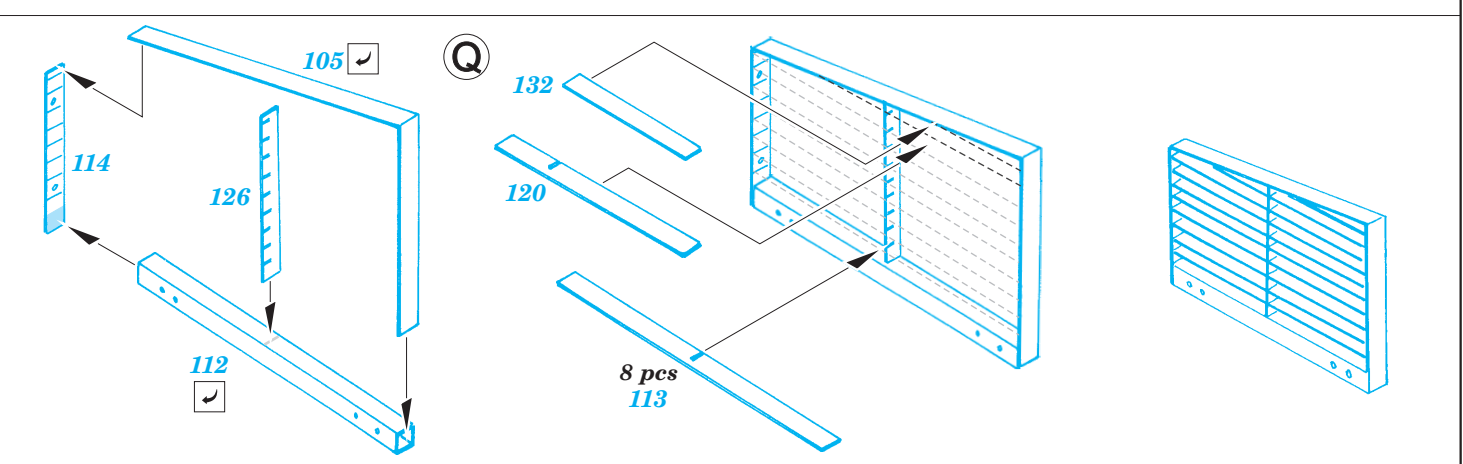
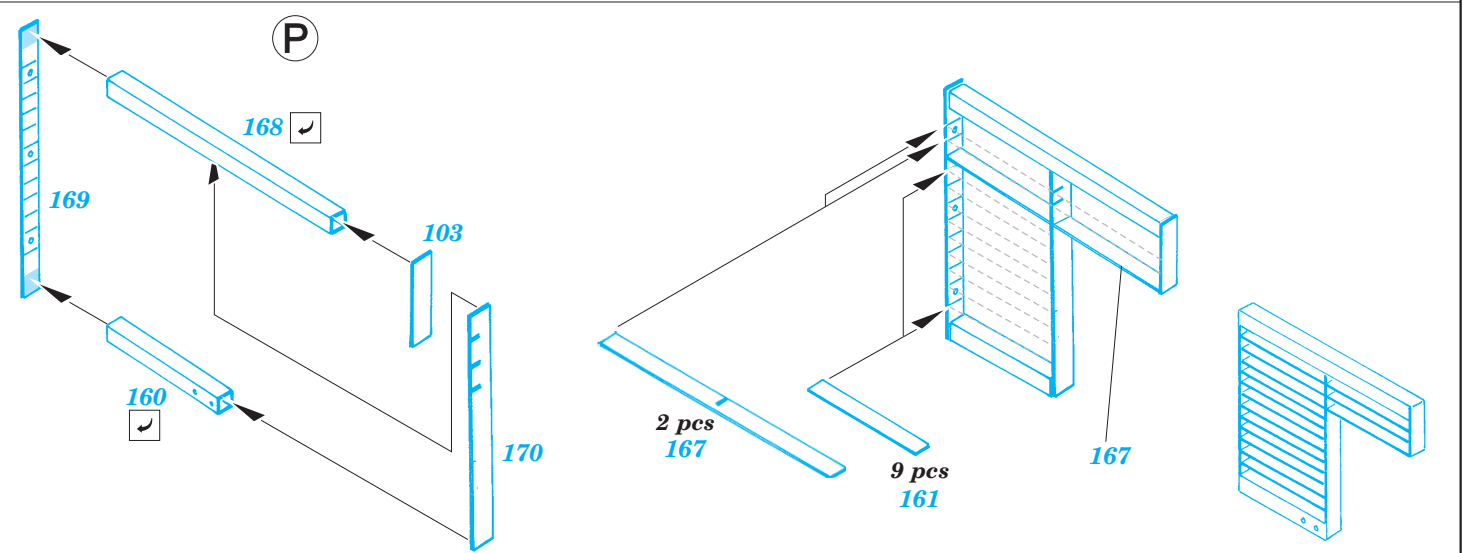
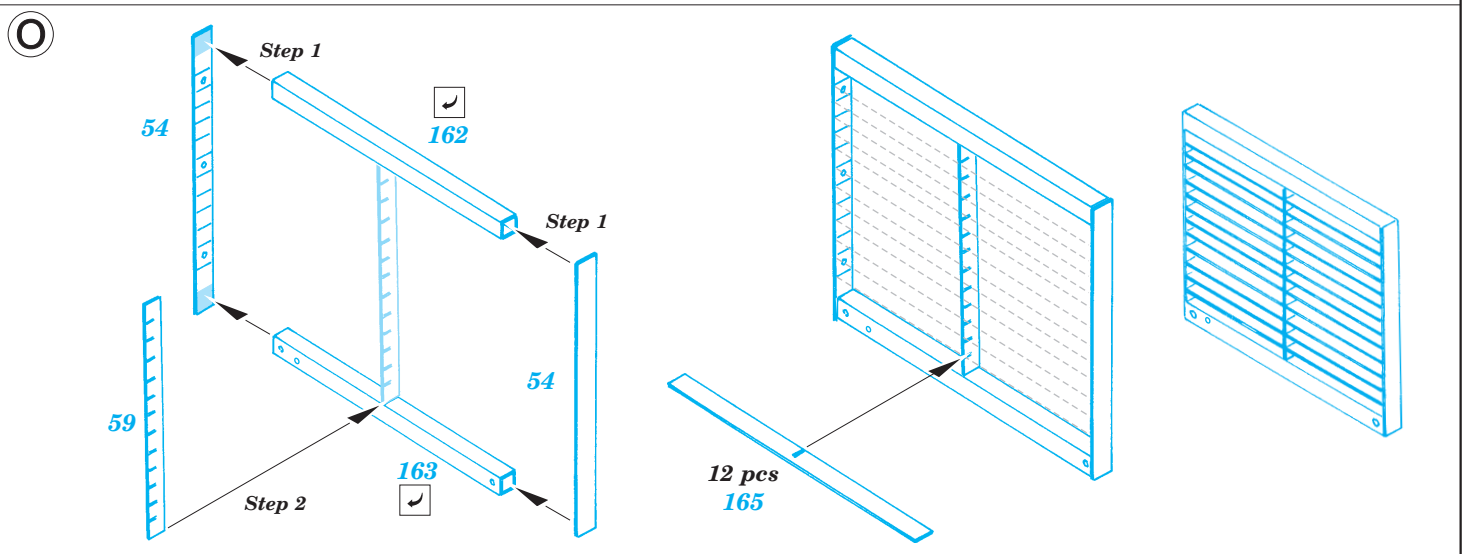
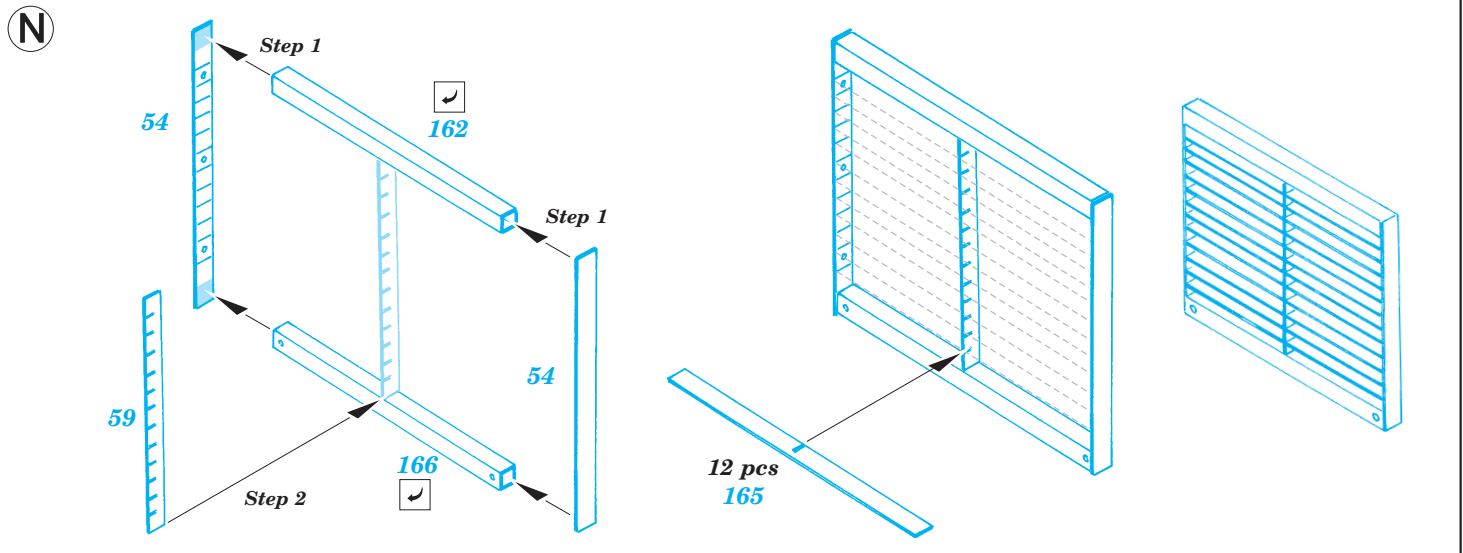


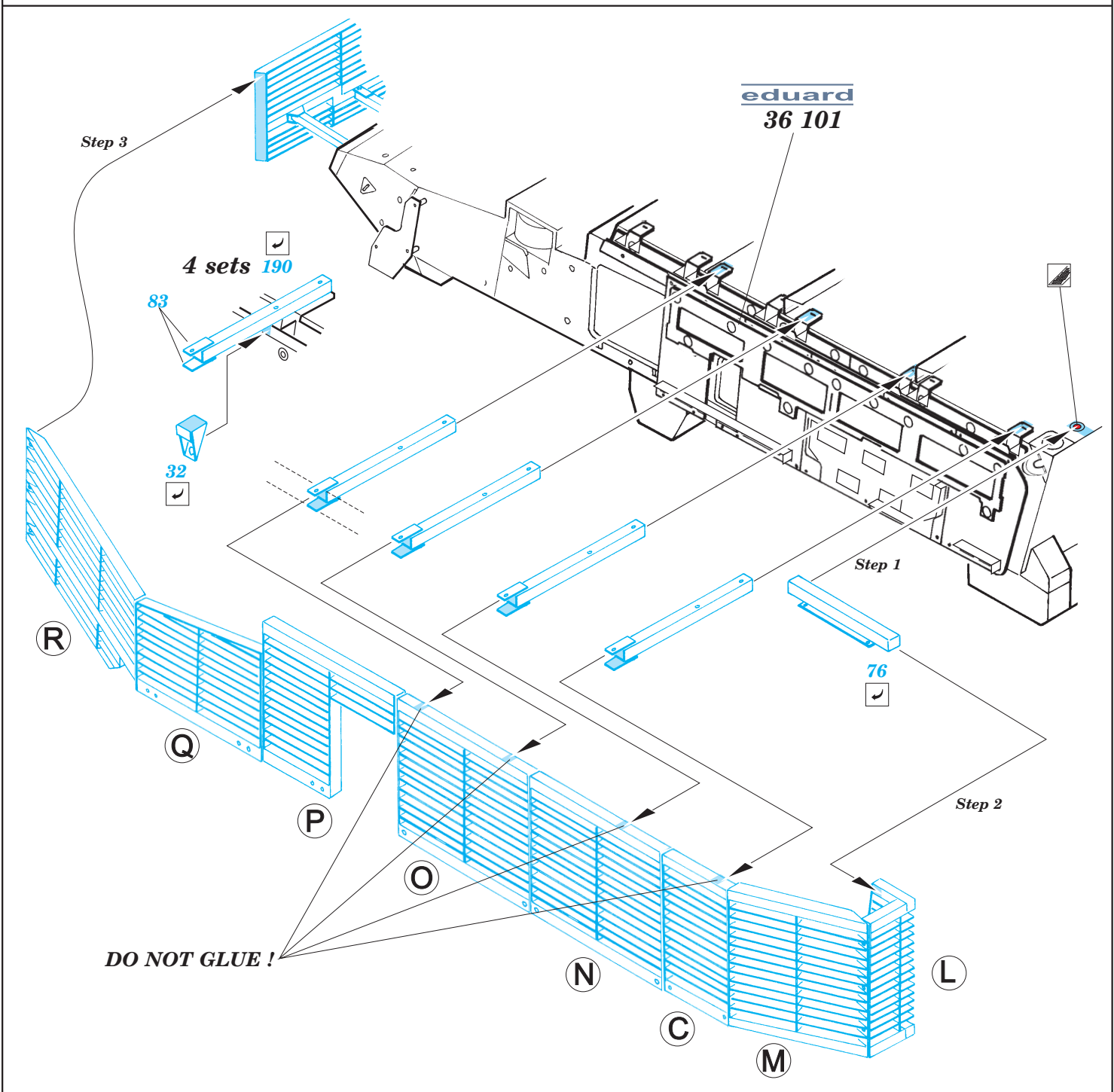
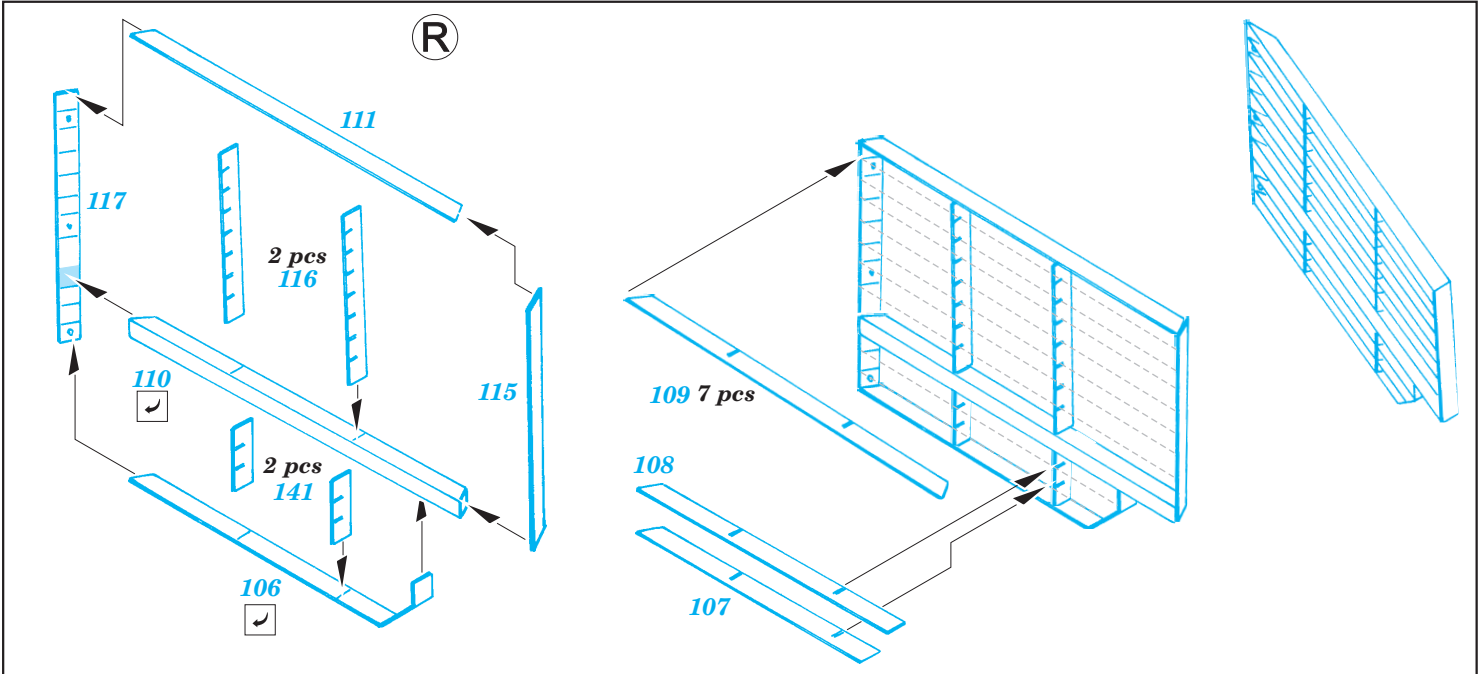
L

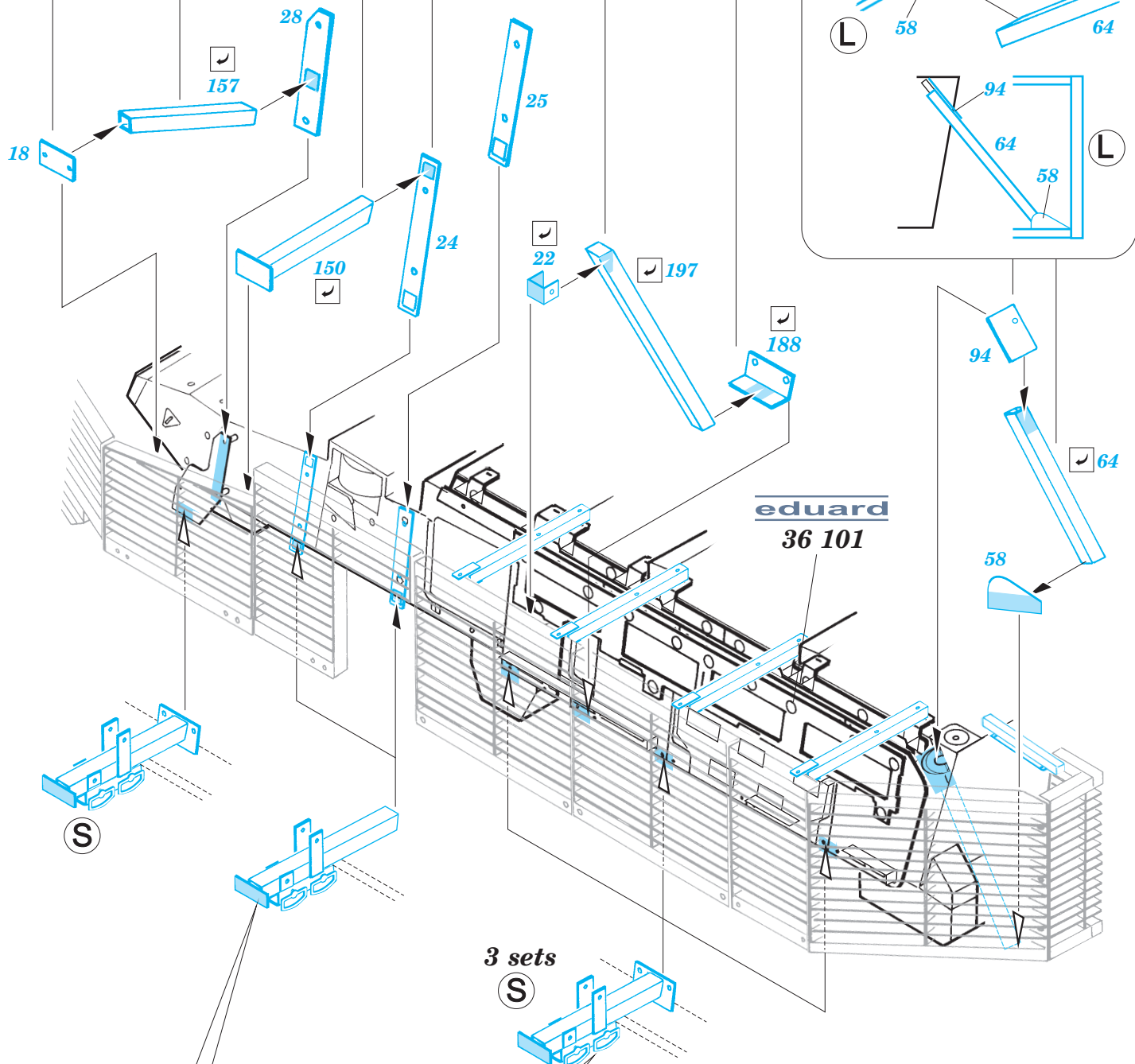
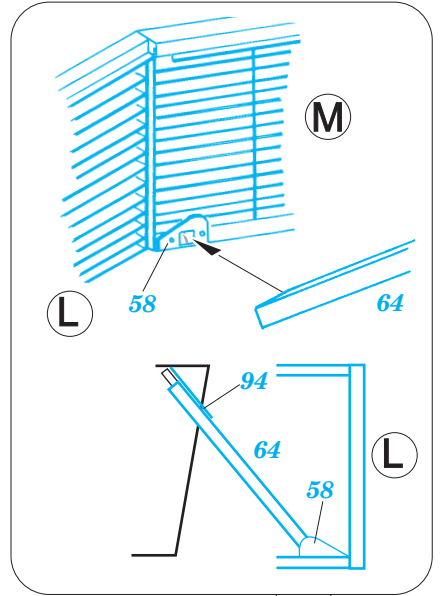
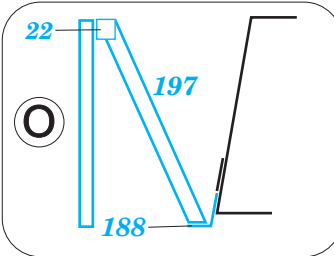
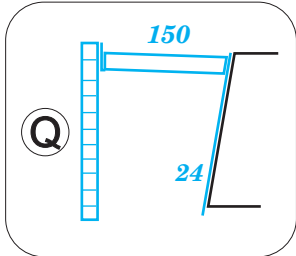
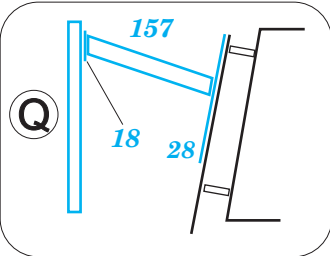


M



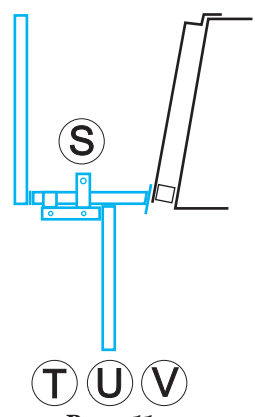
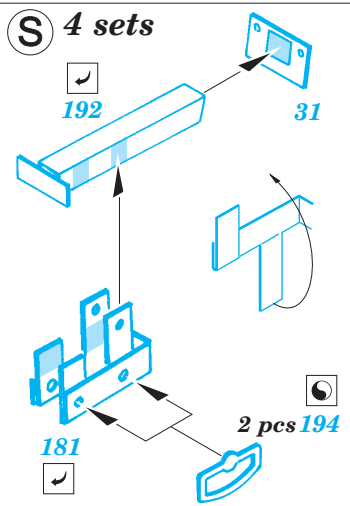
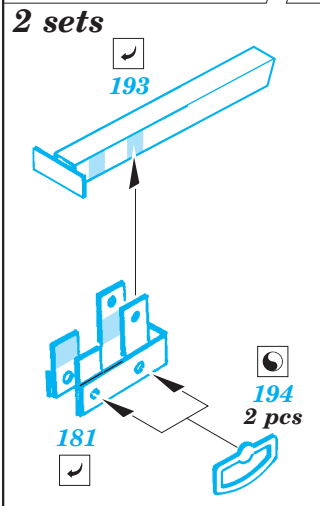


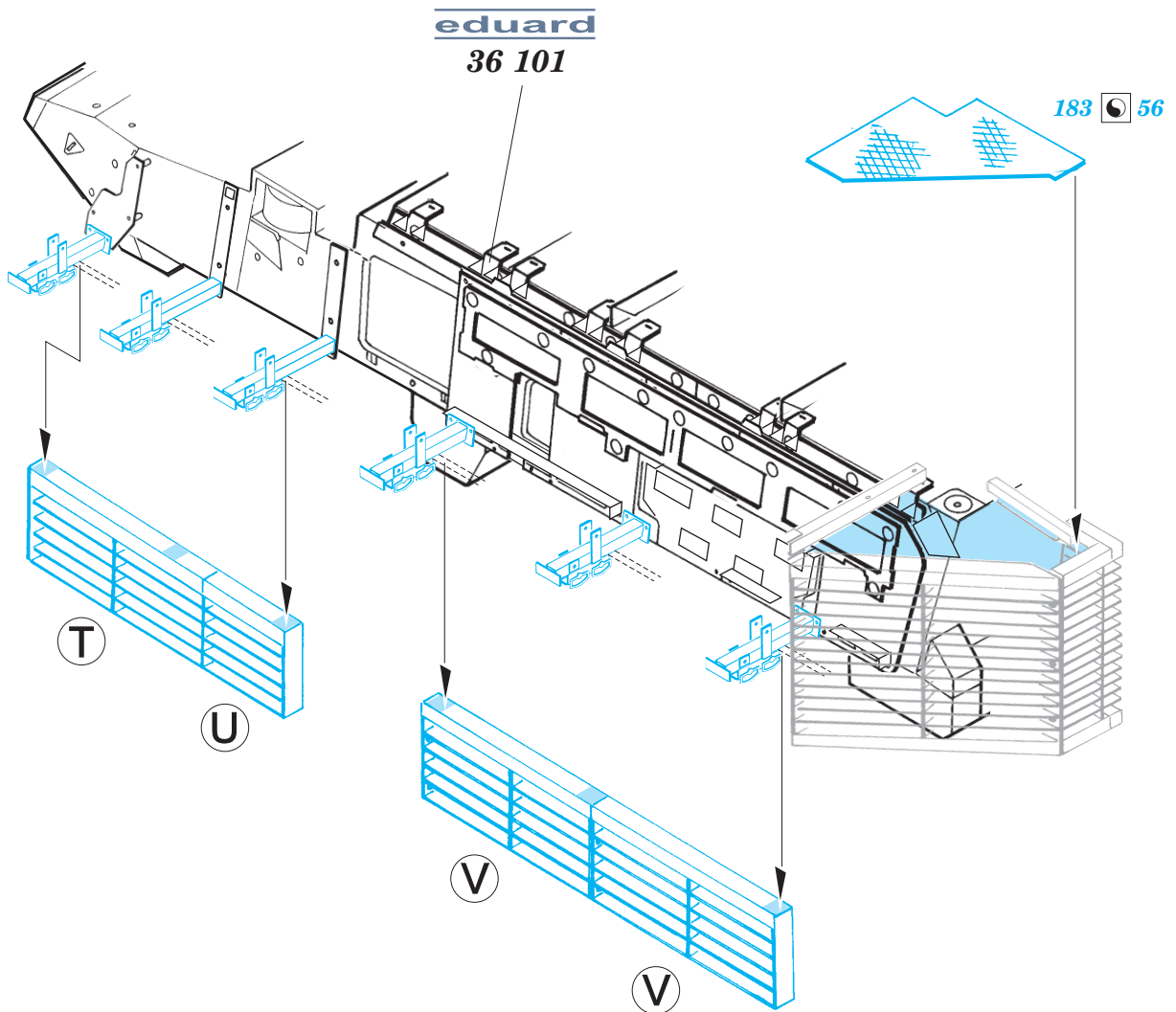
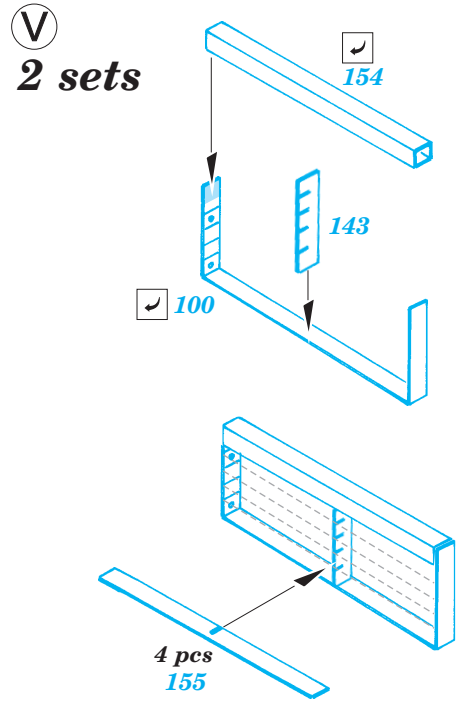
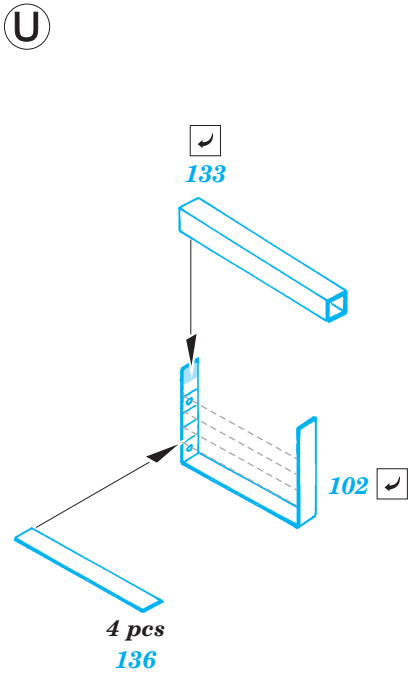
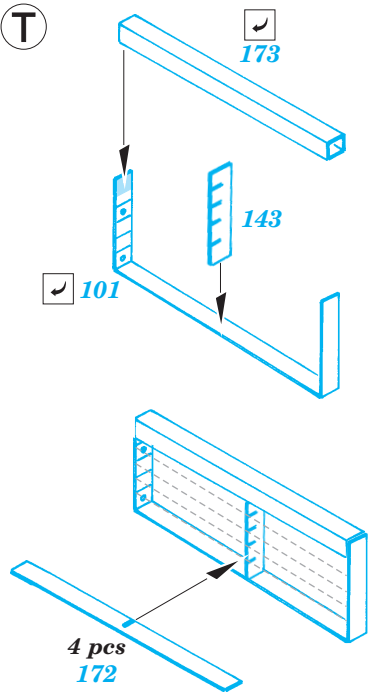


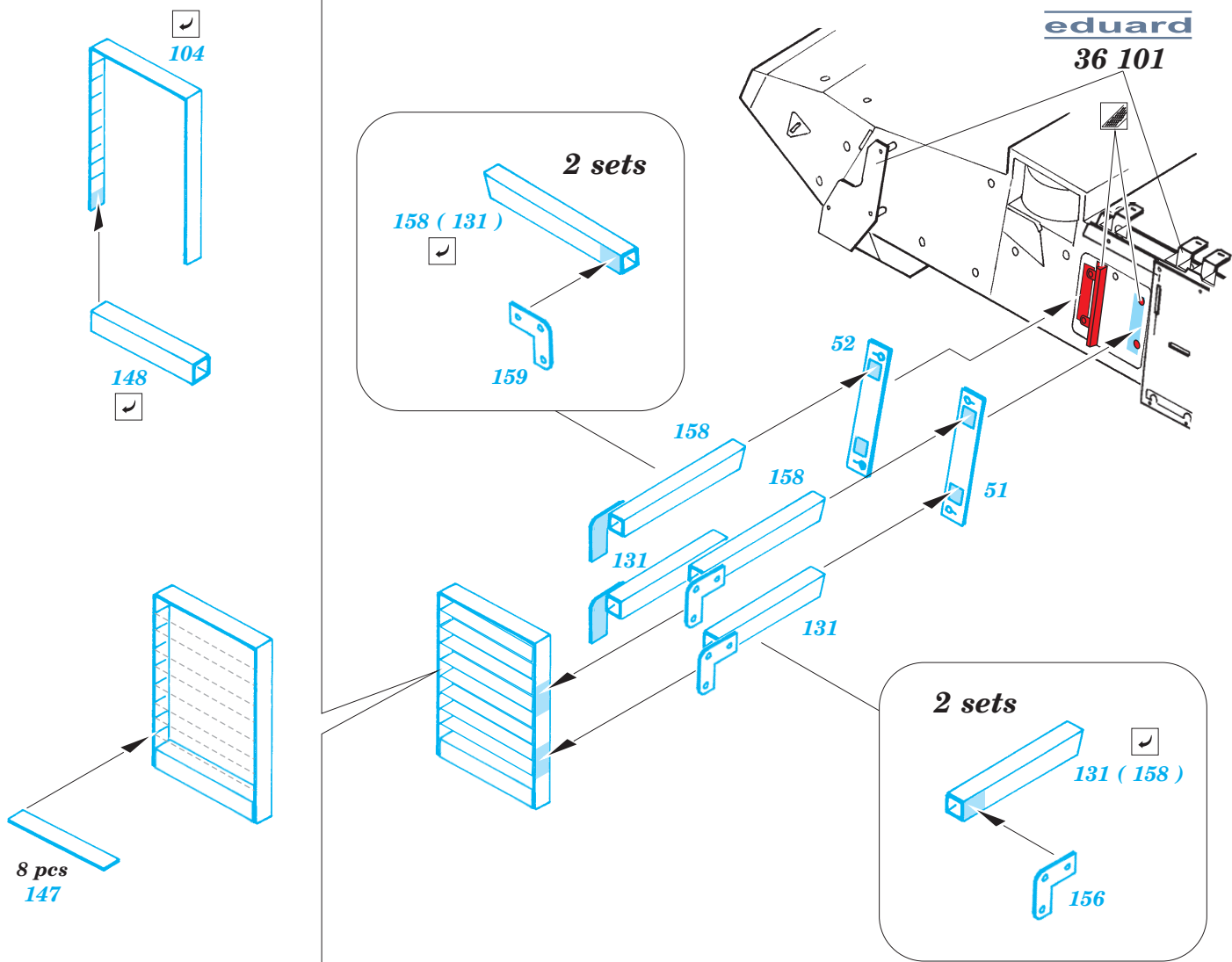


eduard
36 101

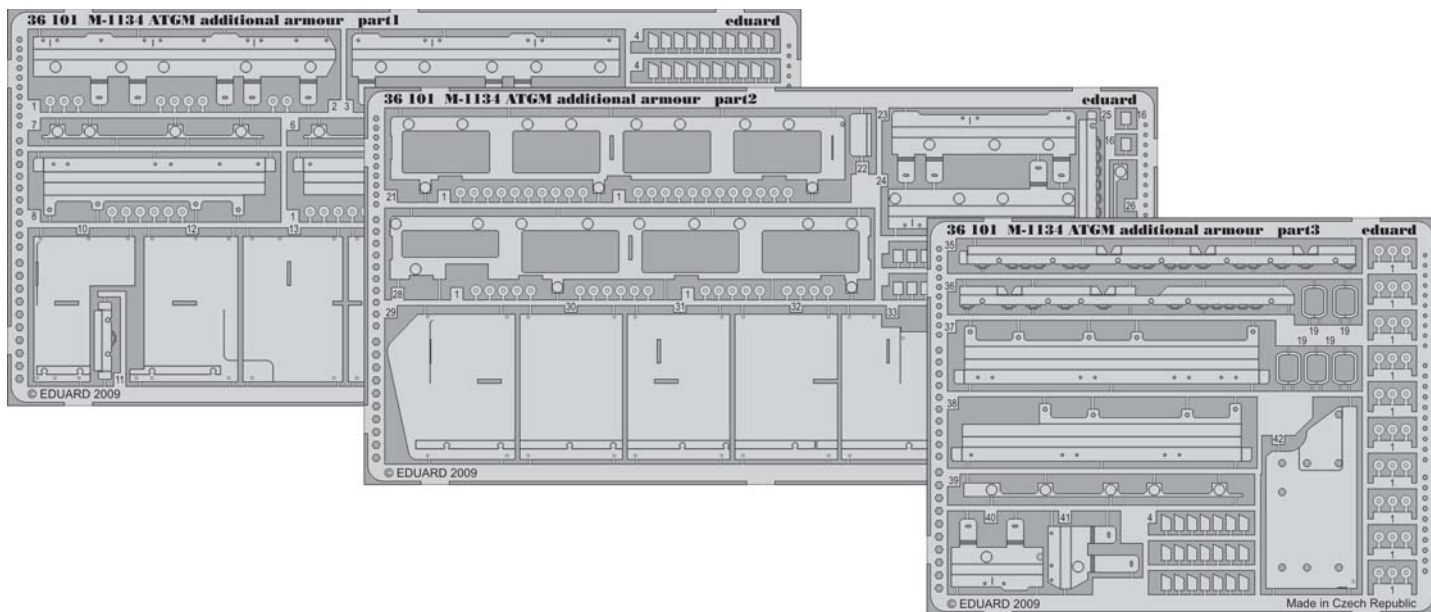
3 sets







This set must be used on base eduard 36 101 M-1134 ATGM additional armor (not included in this set)



For further detail sets look for eduard 36 095 M-1134 ATGM, 36 096 M-1134 ATGM Blast panels, 36 097 M-1134 ATGM Slat Armour, 36 102 M-1134 ATGM Mounted rack and belts and TP 087 Stryker exhaust deflector (not included in these sets)